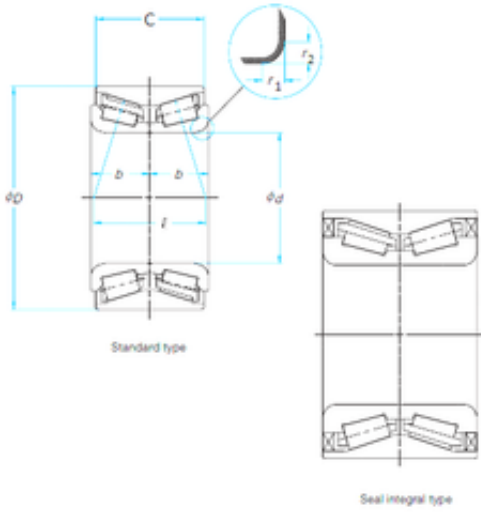




BEARING PRECISION AXLE CORP.



38 mm x 65 mm x 52 mm Timken 513248 Bearing

Bearing No. 513248

Size	38x65x52 mm
Bore Diameter	38 mm
Outer Diameter	65 mm
Width	52 mm
d	38 mm
D	65 mm
B	52 mm
C	48 mm

513248 Bearing 2D drawings and 3D CAD models